

Stifrol™ – New Generation of Roller Guides



Rexnord introduces a new generation of Marbett® Roller Guides for package handling with superior stiffness, low-friction, and low noise capabilities, With patented designs for cost effective installation that simplifies conveyor construction and cost.

Marbett® Stifrol™ Roller Guides convey any package from light-duty containers and shrink-wrapped packages to heavy-duty cardboard packages.

Today's high speed conveying demand require the next generation Marbett® Stifrol™ Roller Guides to deliver superior product handling capabilities, while more and more delicate packages are being conveyed.

Maximize Stability

The new ultra-stiff Marbett® Stifrol™ Roller Guides work in combination with the conveyor structure to provide superior stability even when under heavy load or with high speed conveying.

Superior Product Handling

Convey your product with the smooth interaction of the low friction, low noise Marbett® Stifrol™ Roller Guides to significantly improve product handling, while product damage and discards are prevented.

Simple, Less Costly Conveyor Construction

A simple, cost effective installation simplifies conveyor construction and cost by reducing the number of supports needed. With the Marbett® Stifrol™ Roller Guides only half the supports are needed spaced over the conveyor length of 1.5 m or more.

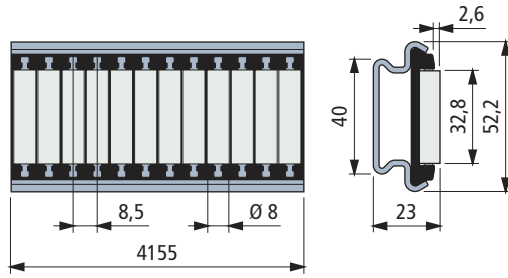
Increased Productivity

With Marbett® Stifrol™ Roller Guide's patented installation concept, the rapid, easy-to-assemble roller guide conveyor kit maximizes fast, high quality conveyor construction and set up at the lowest costs.

Part. **S0798**



■ Roller side guides Stiff Version



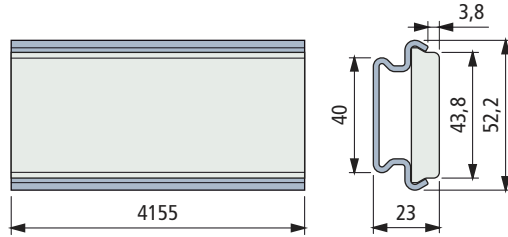
Profile and Pin Material	Code	Weight kg/m
Ferritic Stainless Steel	625433	1,84

- Roller Module Frame Material : POM (Black).
- Rollers Material : PE (White).
- Standard packaging : 4,155 meter strands.
- Packaging : 8,2 meter (n° 2 strands).

Part. **S0799**



■ Guiderail Stiff Version



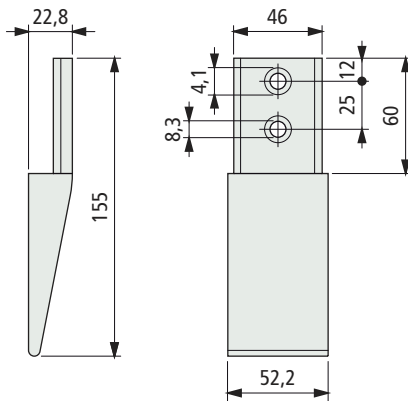
Profile Material	Code	Weight kg/m
Ferritic Stainless Steel	625453	1,50

- Profile Material : HDPE (White).
- Standard packaging : 4,155 meter strands.
- Packaging : 8,2 meter (n° 2 strands).

Part. **S0801**



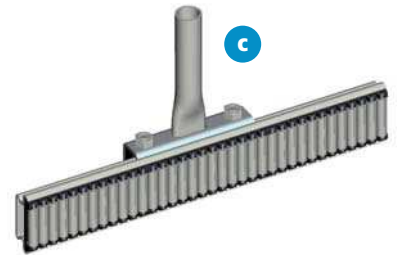
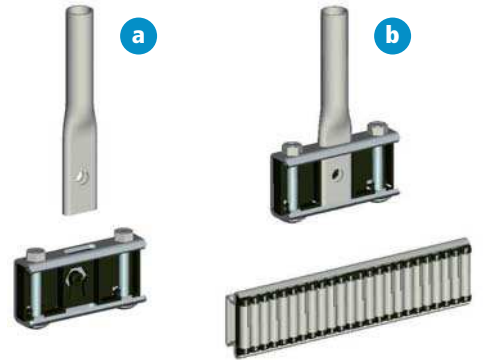
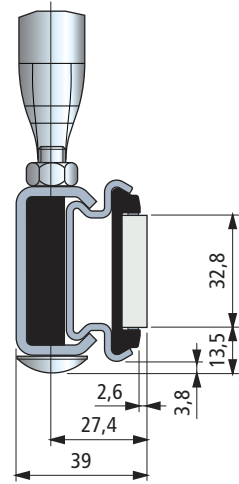
■ Separation block



Code	Weight kg
625473	0,10

- Material : Polyamide PA (White).
- Packaging : 2 pieces.

• Installation - side Usage



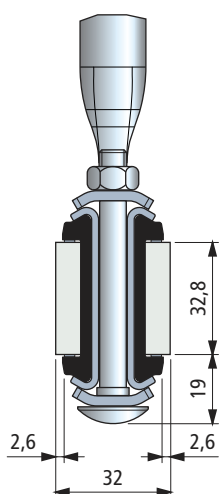
● Best choice

● Standard

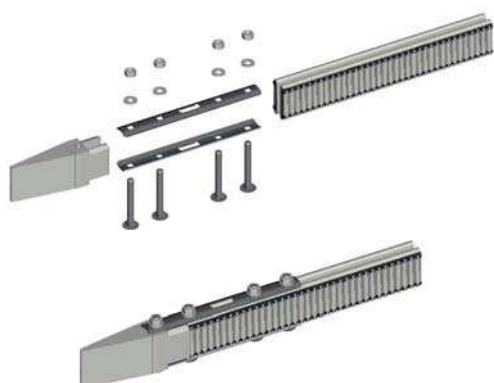
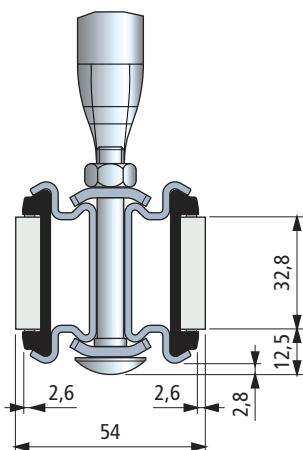
● On request : minimum quantity may apply. Consult our Customer Service for availability.

Item code for order = Part. + Code

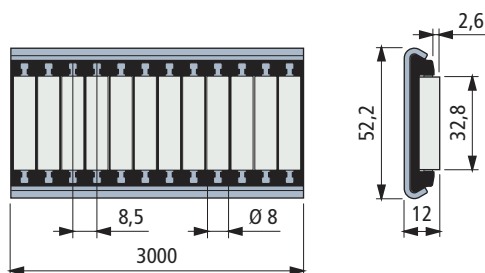
• Compact Center



• Stiff - Center Usage



■ Roller guide Center Compact Version



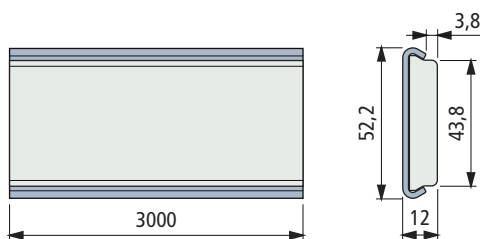
Profile and Pin Material	Code	Weight kg/m
Ferritic Stainless Steel	625483	1,54

- Roller Module Frame Material : POM (Black).
- Rollers Material : PE (White).
- Standard packaging : 3 meter strands.
- Packaging : 6 meter (n° 2 strands).

Part. S0803



■ Guiderail Compact Version



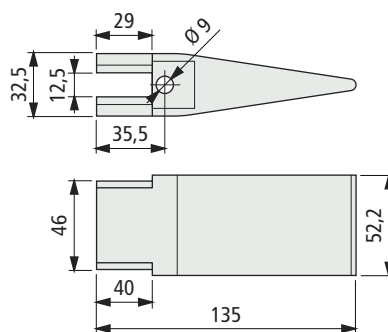
Profile Material	Code	Weight kg/m
Ferritic Stainless Steel	625503	1,20

- Profile Material : HDPE (White).
- Standard packaging : 3 meter strands.
- Packaging : 6 meter (n° 2 strands).

Part. S0804



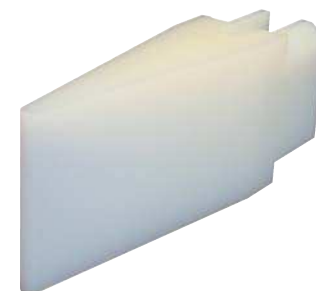
■ Separation block



Code	Weight kg
625853	0,16

- Material : Polyamide PA (White).
- Packaging : 2 pieces.

Part. S0810



● Best choice

● Standard

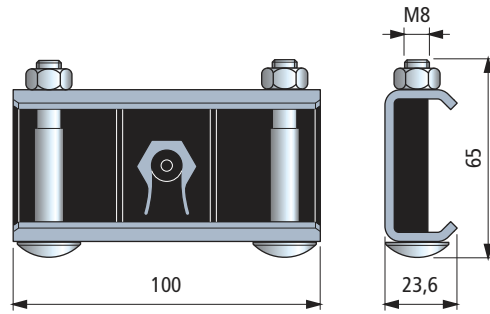
● On request : minimum quantity may apply. Consult our Customer Service for availability.

Item code for order = Part. + Code

Part. **S0794**



■ Side Clamp (for Stiff version)



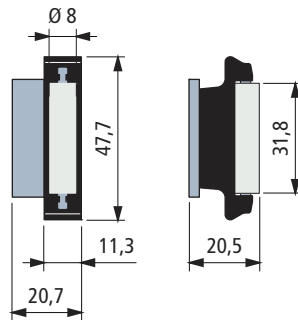
Metal Body	Code	Weight kg/m
Ferritic Stainless Steel	625363	0,28

- Plastic Insert Material : POM (Black).
- Hardware : Stainless Steel.
- Packaging : n° 12 pieces.

Part. **S0792**



■ End Closure for Stiff



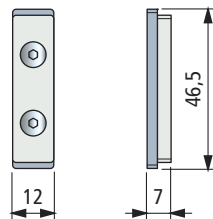
Material	Code	Weight kg/m
Austenitic Stainless Steel	625383	0,03

- Packaging : n° 24 pieces.

Part. **S0808**



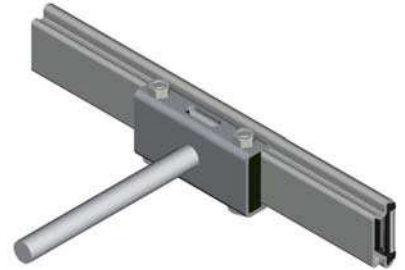
■ End Closure for Compact



Material	Code	Weight kg/m
Austenitic Stainless Steel	625553	0,02

- Packaging : n° 24 pieces.

• Installation - side Usage



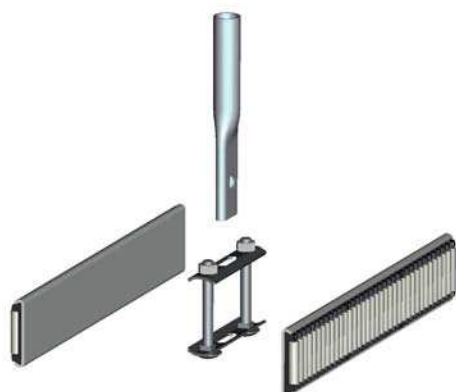
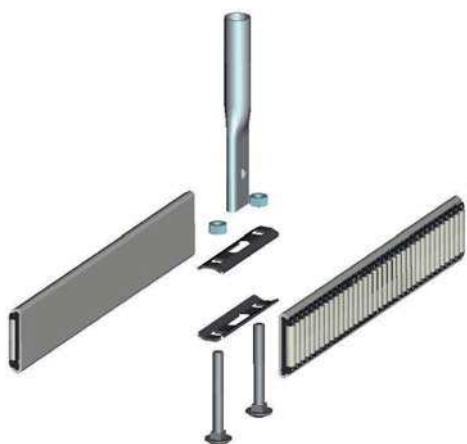
● Best choice

● Standard

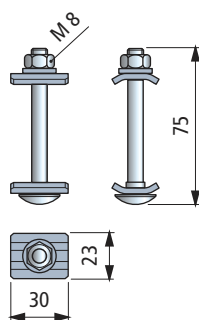
● On request : minimum quantity may apply. Consult our Customer Service for availability.

Item code for order = Part. + Code

• Installation



■ Center Clamp



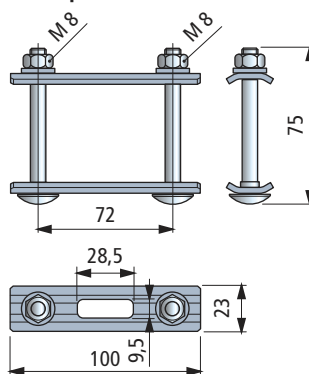
Material	Code	Weight kg/m
Ferritic Stainless Steel	636903	0,05

- Hardware : Stainless Steel.
- Packaging : n° 24 pieces.

Part. **S0836**



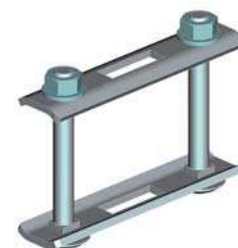
■ Center Clamp



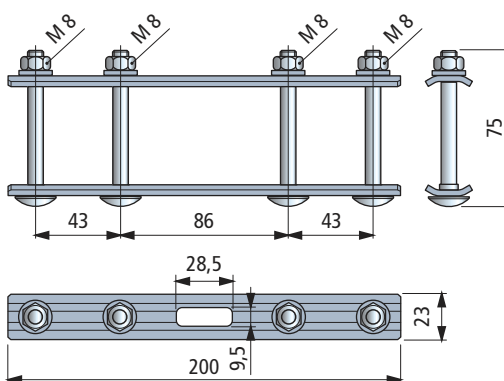
Material	Code	Weight kg/m
Ferritic Stainless Steel	625533	0,15

- Hardware : Stainless Steel.
- Packaging : n° 12 pieces.

Part. **S0807**



■ Junction (for Compact Version)



Material	Code	Weight kg/m
Ferritic Stainless Steel	626183	0,30

- Hardware : Stainless Steel.
- Packaging : n° 12 pieces.

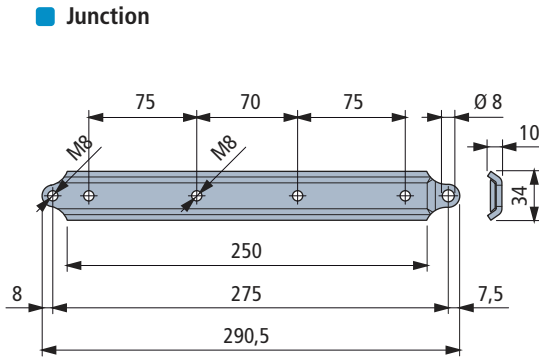
Part. **S0811**



- **Best choice**
- **Standard**
- **On request** : minimum quantity may apply. Consult our Customer Service for availability.

Item code for order = Part. + Code

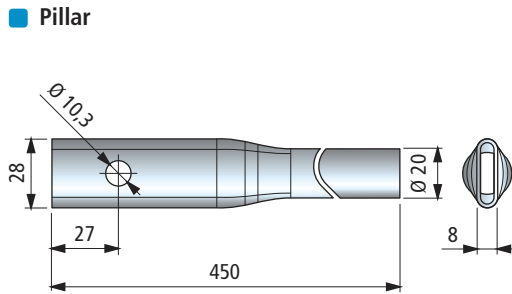
Part. **S0793**



Material	Code	Weight kg/m
Ferritic Stainless Steel	625393	0,32

- Hardware : Stainless Steel.
- Packaging : n° 12 pieces.

Part. **S0795**



Material	Code	Weight kg/m
Ferritic Stainless Steel	625413	0,30

- Packaging : n° 12 pieces.

• Installation - side Usage



● Best choice

● Standard

● On request : minimum quantity may apply. Consult our Customer Service for availability.

Item code for order = Part. + Code

FEATURES & BENEFITS

- Ideal for dry end – package handling applications
- Superior performances at high speeds with heavy packages
- Side and Center Usage by the same parts = standardization
- Stiff Version for maximum performances
- Compact version for machine space reduction
- Superior Product Handling by gentle product contact
- Roller reduced diameter and pitch = low noise
- Superior Stiffness
- Guide and Pillars work as a unique part
- Halves the amount of supports needed
- Maintains stable shape and full product support for enhanced product handling
- Easy and Quick installation
- Pre-assembly feature enables a secure and precise installation
- Complete set of accessories for installation and set up
- Low Noise
- Safe product designed according to the European safety regulations, avoiding holes and traps

La riproduzione anche parziale del presente catalogo è vietata a termine di legge. Sempre alla continua ricerca per migliorare il prodotto ed applicare le tecnologie più avanzate, la Rexnord Marbett si riserva il diritto di apportare modifiche ai dati e alle caratteristiche illustrate nel catalogo.

I carichi indicati nelle tabelle, rappresentano i carichi massimi che si possono applicare in condizioni statiche. Tali valori sono ottenuti come risultato di prove ed esperienze di laboratorio fatte sui nostri materiali, stampati ad iniezione e condizionati (40h - 23C - 50% U.R.).

I valori dei carichi dovranno essere adeguatamente ridotti in presenza di : vibrazioni con frequenze elevate, carichi dinamici, elevate temperature ed ambienti ad elevato tasso di umidità. Per reciproca garanzia si consiglia di rivolgersi ai nostri uffici tecnici o commerciali al fine di valutare le caratteristiche in funzione degli impieghi.

AUSTRALIA

Rexnord Australia Pty. Ltd.
Picton, New South Wales
Phone: 61-2-4677-3811
Fax: 61-2-4677-3812

BRAZIL

Rexnord Correntes Ltda.
Sao Leopoldo - RS
Phone: 55-51-579-8022
Fax: 55-51-579-8029

CANADA

Rexnord Canada Ltd.
Scarborough, Ontario
Phone: 1-416-297-6868
Fax: 1-416-297-6873

CHINA

Rexnord China
Shanghai
Phone: 86-21-62701942
Fax: 86-21-62701943

FLATTOP EUROPE

Rexnord FlatTop Europe b.v.
's-Gravenzande, The Netherlands
Phone: 31-174-445-111
Fax: 31-174-445-222

Rexnord Marbett S.r.L.
Correggio (RE), Italy
Phone: 39-0522-639333
Fax: 39-0522-637778

Rexnord FlatTop France
Bureau Commercial
Phone: 0805 540 444
Fax: 0805 540 555
E-mail: rexnord.marbett@rexnord.com

UNITED STATES

Customer Service
Phone: 1-866-REXNORD
(1-866-739-6673)
Fax: 1-614-675-1898
E-mail: [rexnordcs\(state\)@rexnord.com](mailto:rexnordcs(state)@rexnord.com)
Example: rexnordcsohio@rexnord.com

Rexnord FlatTop North America
Grafton, Wisconsin
Phone: 1-262-376-4700
Fax: 1-262-376-4720

Rexnord International - Power Transmisson
Milwaukee, Wisconsin
Phone: 1-414-643-2366
Fax: 1-414-643-3222
E-mail: international2@rexnord.com

ALL COUNTRIES NOT LISTED

Rexnord FlatTop Europe b.v.
's-Gravenzande, The Netherlands
Phone: 31-174-445-111
Fax: 31-174-445-222

After Hours/Emergency
Phone: 31-174-445-112



www.rexnordflattop.com
flattop europe@rexnord.com